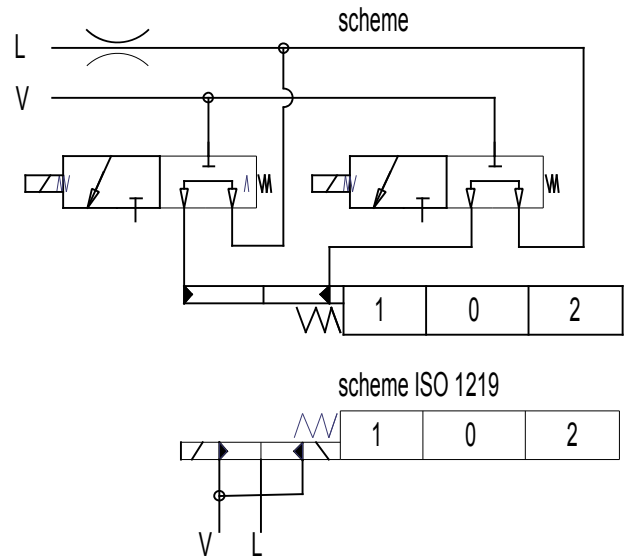
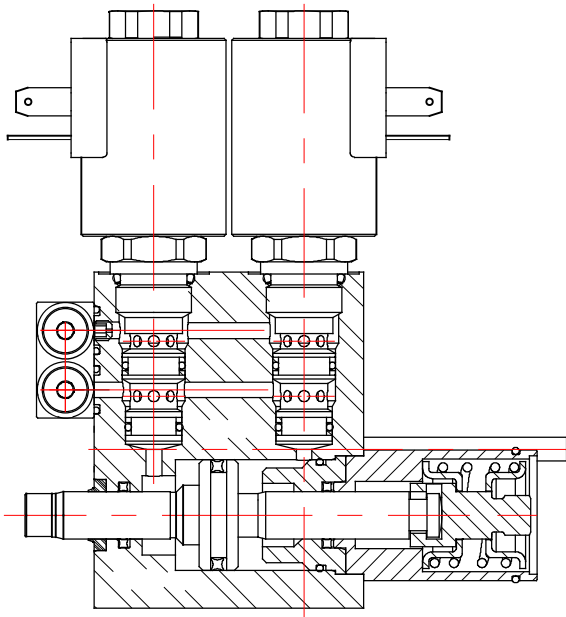


directional control valve ..Z80

ED3 – electro-hydraulic control ON-OFF
 Электрогидравлический контрол ON-OFF



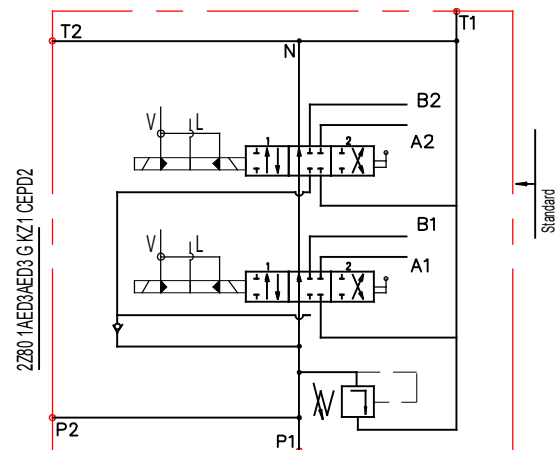
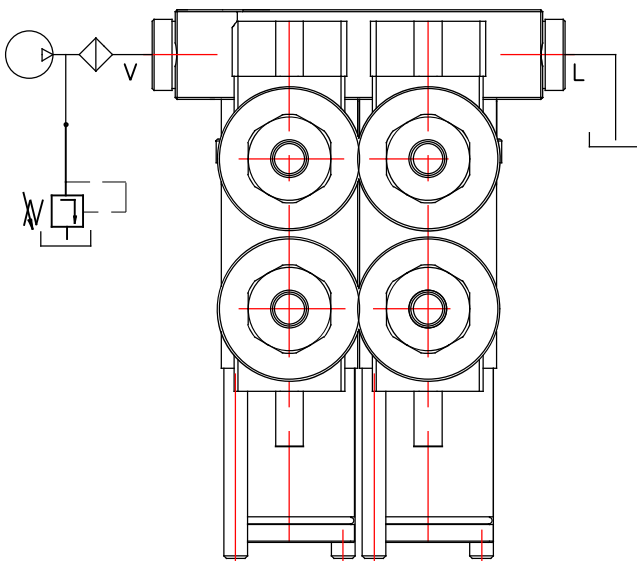
Ordering codes

3-way solenoid valve-SV08-33
 coil P40ED3-G-12VDC
 coil P40ED3-G-24VDC

Operating pressure	min 10 bar(145 psi)
	max 50 bar(725 psi)
Max operating pressure in L (T line)	25 bar(360 psi)
Solenoid operating features	
Nominal voltage tolerance	±10%
Power rating	24W
Duty cycle	100 %

Collector kit for external pilot and drain – CEED...(1,2,3 ...)

Коллектор для внешнего питания управления и слив



Ordering example

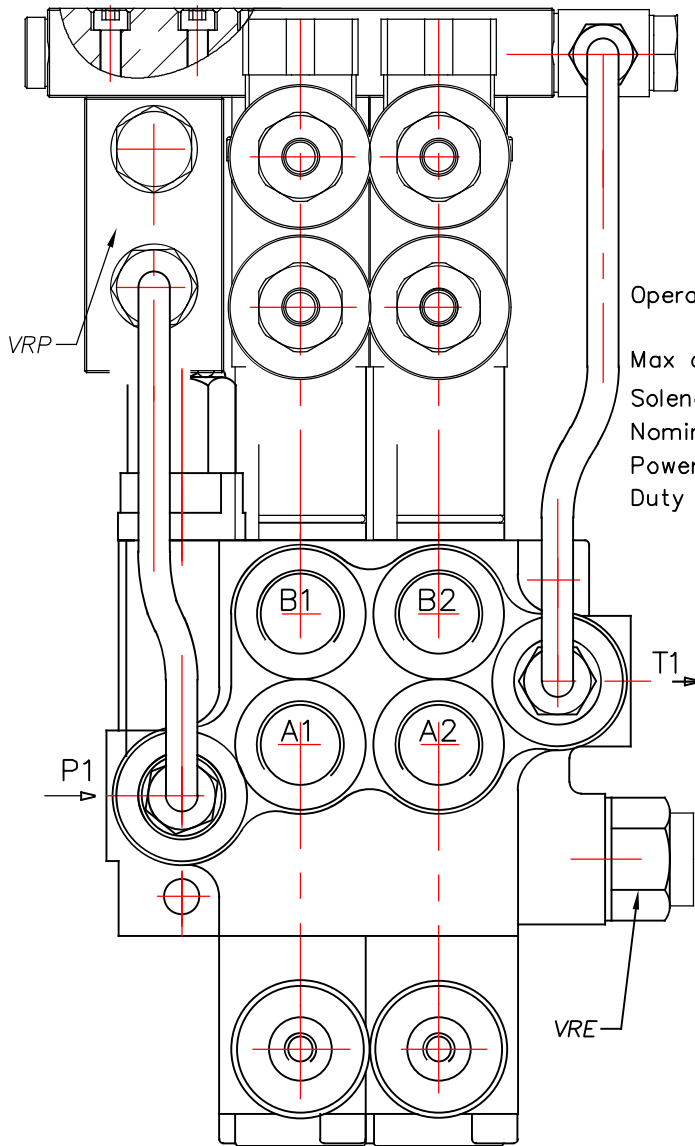
02Z80 1A1ED3A1ED3 G KZ1-CEED2-12VDC

Ordering codes (BSP threads)

CEED1P80	Kit for 1 section
CEED2P80	Kit for 2 section
CEED3P80	Kit for 3 section
CEED480	Kit for 4 sektion
.....	

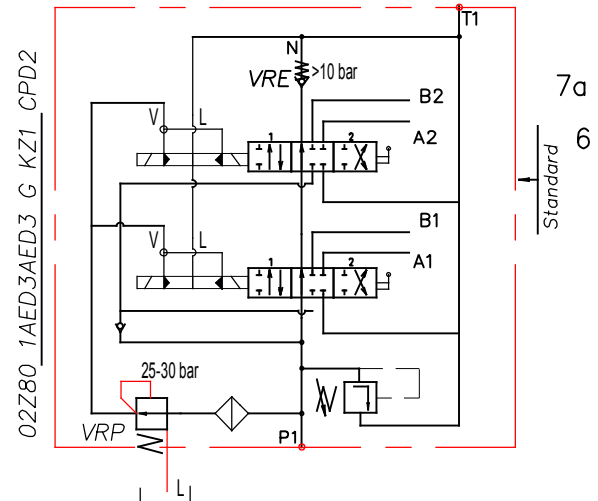
directional control valve ..Z80

ED3 – electro-hydraulic control ON-OFF
 Электрогидравлический контрол ON-OFF



Order codes
 3-way solenoid valve-LSV2-08-3C-NNN
 coil P40ED3-G-12VDC
 coil P40ED3-G-24VDC

Operating pressure min 10 bar(145 psi)
 max 50 bar(725 psi)
 Max operating pressure in L (T line) 25 bar(360 psi)
 Solenoid operating features
 Nominal voltage tolerance ±10%
 Power rating 24W
 Duty cycle 100 %



Ordering example

02Z80 VRP 1A1ED3A1ED3 G KZ1-CED2-VRE-12VDC

Colector kit

- CED1P80
- CED2P80
- CED3P80
- CED480
- ...

BSP threads
 Ordering codes

- Kit for 1 section
- Kit for 2 section
- Kit for 3 section
- Kit for 4 sektion

Back pressure valve VRE-P80
 Клапан подпора

