

Operating features

Технические примечания

Control

Internal leakage A(B) → T
 (p=120 bar, Viscosity=32 mm²/s : max 40 ccm/min)
 Fluid temperature – -20°C(short time) ... 80°C
 Max. back pressure on outlet port T – 25 bar (360psi)

Coil

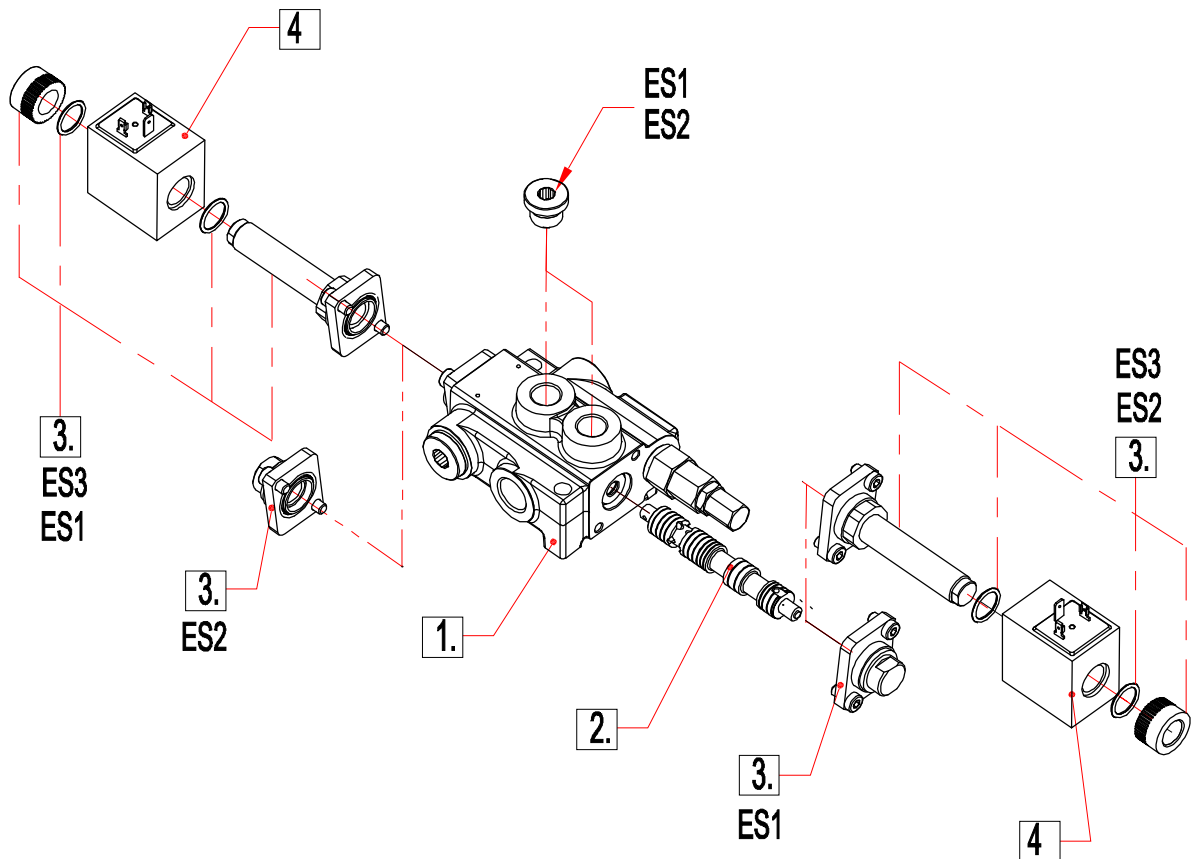
Nominal voltage tolerance ±10%
 Power rating 37 W
 Coil insulation class H
 Duty cycle 100%
 Connector ISO 4400
 Emergency manual override

pos.	Part.No	Description	Quantity
10		Ball 14.28	1
9	123.00.47	Spring	1
8	79.04.00	Relief valve	1
7b	C35D012RC P01	Solenoid coil	2
7a	GM4060/BD	Solenoid Tube	2
6	542.02.00.07	Additional spring	2
5	511.02.02.00	Intermediate unit	2
4	542.02.00.04	Spring	2
3	511.02.00.02	Washer	2
2		Spool ...	1
1		Body ...	1

Solenoid direct control with spring return to neutral position.
Needs special spools and special body Z80.

ORDERING EXAMPLE

Z80	A	ES3	12VDC	G
1	2	3	4	5



1.Body kit

Type	Description
01Z80	1 spool
02Z80	2 spool
03Z80	3 spool
04Z80	4 spool
05Z80	5 spool
06Z80	6 spool

2.Spool options

Type	Description
A	Double acting, 3 positions with A and B closed in neutral position
D	Double acting, 3 positions with A and B open to Tank in neutral position

3.Control kit

Type	Description
ES1	Single acting P – A with spring return in neutral position
ES2	Single acting P – B with spring return in neutral position
ES3	Double acting P – A (B) with spring return in neutral position

4.Coils

Type	Description
(with connector ISO 4400)	
12VDC	Nominal voltage 12VDC
24VDC	Nominal voltage 24VDC

5.Threads

G	P, A, B – G1/2; T – G3/4
---	--------------------------